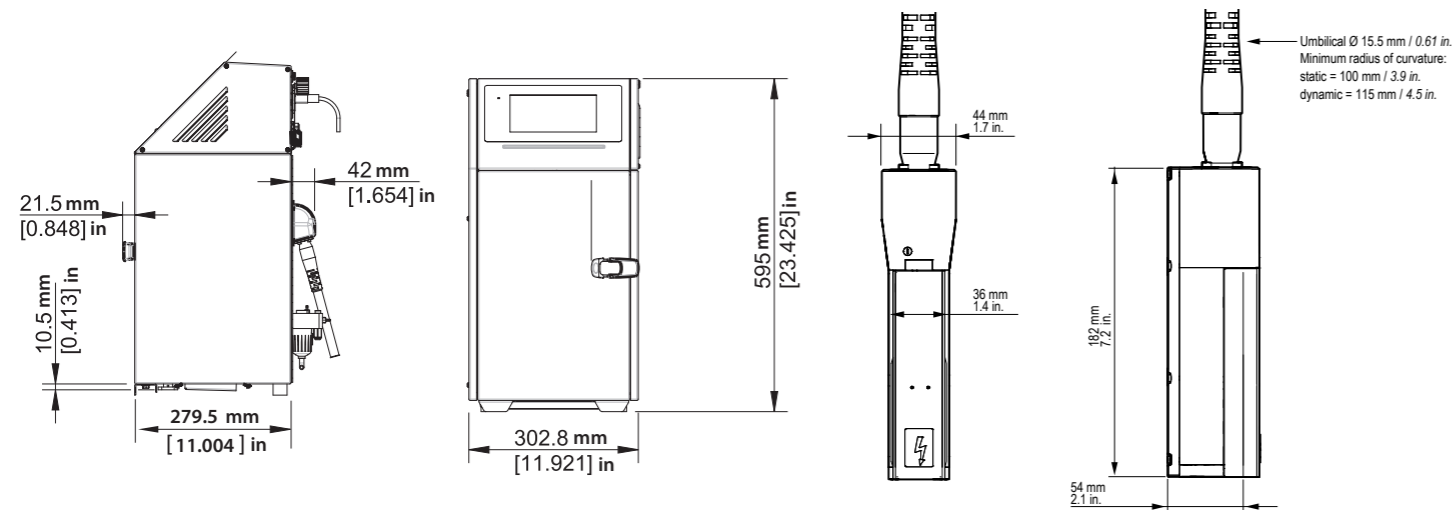


9330 - Specifications



Print features

- Mono-jet printhead
- G head (printing resolution: 71 dpi)
- Up to 4 lines of print
- Print speed: up to 4.4 m/s
- Maximum speed (7 dot high characters):
 - 0.60 m/s (0.36 mm drop pitch for 4 lines)
 - 1.01 m/s (0.36 mm drop pitch for 3 lines)
- Font height from 5 to 24 dots
- Character height: from 1.8 to 8.6 mm
- Wide choice of characters (Latin, Arabic, Cyrillic, Greek, Japanese, Chinese, Hebrew, Korean...)

Operations

- Message library (up to 1000 messages)
- International operator/machine interface (choice of 31 languages)
- Color touch screen
- Maximum number of characters per second: 2083
- On-screen output: on/off, consumable level indication, current print counter
- On-screen help and maintenance information
- Programmable shut down
- 2 sealed intelligent cartridges, 0.75 liter each
- Quick connect/disconnect of accessories (photocell, encoder, alarm, I/O)
- Connectivity: Ethernet / RS-232

Other characteristics

- Weight: 18.5 kg
- 3-meter flexible umbilical cable
- Stainless steel cabinet
- Dust/humidity protection rating: IP55
- No plant air required
- Operating temperature range: 5° to 40° C, depending on ink used
- Humidity: 0% to 90% non-condensing
- Electrical power supply: 100 - 120 V or 200 - 240 V with automatic switching; frequency 50/60 Hz; power 34 W

Accessories

- Printer supports: stands (stainless steel or aluminum), table or wall mounting bracket
- Photocell
- Encoder
- Alarm beacon (24 V)

Options

- Printhead pressurization kit (plant air required)
- Autonomous pressurization kit (no plant air required)



9330 | Marking your future. Together.
Small character inkjet



Starting, or growing, a business are crucial moments in the life of a company. Changes in production type, rate and even packaging can make things logistically challenging.

The 9330 supports you from your very first line and adapts as production scales up. A trustworthy partner as your needs change, it provides the best, most reliable marking solution at a competitive price.

Your challenges

- Finding a cost-effective marking solution that can evolve with your capacity needs
- Picking equipment is easy to install, use and maintain on your own
- Ensuring quality codes always, even after long storage periods

Our solution

Designed for low to medium duty applications, the 9330's unique flexibility can easily handle evolving printing needs and ensure quality coding for more than 8,000 hours of production*.

Key benefits

- Its modular **Intelli'Swap** design makes changing the all-in-one M6⁺ ink circuit so easy it can be done in under 6 minutes.
- The specially developed **Intelli'Ink** portfolio ensures optimal coder performance and flexibility when coding different package materials.
- Its automatic cleaning system coupled with its **Intelli'Jet** technology provides clean, hassle-free start-ups and quality codes, every time.

Mark your future with quality coding, always. The versatile inkjet that grows with your company



Easy operation

- **Easy to install**
Put it anywhere you need, thanks to its robust IP55 fully stainless steel design.
- **Easy to start up**
Automatic printhead cleaning system makes start-ups simple and quick. Just plug it in and start printing, even after weeks of storage.
- **Easy to use**
Smart consumable system requires no set-up and prevents costly cartridge-related operator mistakes.
- **Easy to maintain**
M6⁺ ink circuit can be changed in less than 6 minutes without spillage or waste.

Cost-efficient, best-in-class performance

- **The M6⁺, a smart all-in-one ink circuit, runs for over 8,000 hours***
No extra maintenance needed.
- **Consistent code quality, regardless of environmental conditions**
Intelli'Jet technology ensures quality codes in many fonts, several code types (including 2D), every time.
- **Keeps TCO low**
Additive consumption cut by up to 50%** , thanks to latest generation hydraulic system.
- **MEK-free ink offer eliminates paperwork hassle related to consumable importing**
Its standard-priced MEK-free ink facilitates supply, compliance and safety related issues.

Long-term coding solution

- **Adjusts to your changing packaging types**
Whatever packaging type you need to code now or in the future, this coder can do it: Plastics, cardboard, metal, foil, paper, glass etc. It even offers a competitively priced MEK-free solution.
- **Extended connectivity capacity**
Easily links to the market-leading CoLOS[®] information management system so you can manage one or more coding devices through a single computer.
- **Code with CONFIDENCEsm**
Ensure excellent performance and peace of mind with our array of genuine Markem-Imaje after-sales services. Offering includes: spare part kits, consumables solutions and service packages including start-up packages, extended warranty contracts, service exchange programs and all-inclusive agreements.

*Recommended preventive maintenance procedure: 8,000 hours **Compared to competitor models in the same category operating at 20 °C