

CO₂ Laser Coding Solution

The SmartLase C350HD+ is designed specifically for manufacturers of single serving, mix and go stick packs. This reliable, cost-effective and energy efficient solution for wide web coding and scoring delivers the performance you expect from Markem-Imaje, easily achieving a print rate of up to 60 strokes/minute even in dusty environments.

Excellent efficiency

- **Print High Definition (HD) codes on wider print area**
Use two 30-watt lasers to print 670 mm wide web or three to print 1005 mm wide web. Single point of control (2 or more lasers can be controlled via CoLOS® or dedicated controller) for multiple head configurations.
- **Designed for OEM integration**
Qualified on multi-lane sticks packaging machines (Mespack, Toyo, Schmucker) Advanced head mount and extraction kits available.
- **Flexibility to put the code where you need it**
With 0° or 90° scan head orientation options available you can put your text anywhere, in any orientation unlike traversing solutions.



SLC 350HD+ is easy to integrate in any packaging machine; the HD+ scan module can be positioned in any orientation (0, 90° ...)

High quality coding

- **Clean and safe solutions**
Dedicated fume extraction system for a cleaner, healthier, safer, odorless working environment.
- **High quality codes 30% faster**
Patented SmartLase Code Technology with **Intelli'Arc** scribing, codes 30% faster than conventional vector lasers.
- **Reduce your film inventory with late stage customization**
Last minute customization possible (weight, promotion, etc.) helping to reduce foil inventory.



SLC350HD+ comes standard with aiming diode; expedites adjustments and cuts changeover time and waste

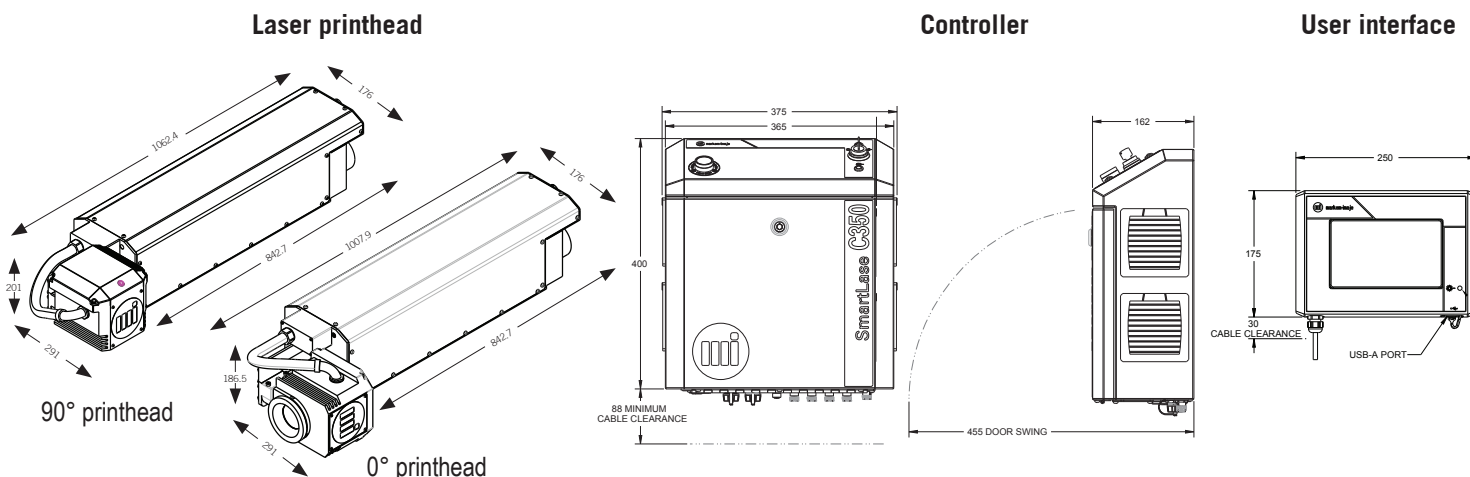
Lower total cost of ownership (TCO)

- **Expedite adjustments and cut changeover times and waste**
SmartLase comes standard with built-in aiming diode making it one of the most user-friendly lasers in its class.
- **Do more with less**
Coding and scoring is possible with our laser and could replace costly mechanical knife and blade solutions.
- **Industry leading reliability**
99.9 % uptime with unique **Intelli'Cool** system prevents overheating at high duty cycles, minimizing line stoppages and downtime, and provides an industry leading MTBF of 60,000 hours.



Stick pack examples with code and scoring on triplex film

SmartLase C350HD+ - Specifications



Print features

- 2 laser solution: print up to 10 lanes at 60 strokes/min (600 ppm)*
- 3 laser solution: print up to 15 lanes at 60 strokes/min (720 ppm)*
- Available in 10.2 µm and 10.6 µm wavelengths
- Easy configuration for 0° or 90° scan head orientation
- Large marking fields to minimize the number of printheads per line:
 - One machine covers a print area width of 335 mm
 - Two machines covers a print area width of 670 mm
 - Three machines covers a print area width of 1005 mm
- FD370 lens optimized for stick pack applications with print area 335 x 188 mm
- Number of text lines: limited only by character height and allowable print area
- Character height: from 1 to 335 mm
- Choice of characters: Chinese, Latin and Unicode fonts
- Wide selection of languages: Arabic, Bosnian, Brazilian Portuguese, Bulgarian, Chinese, Croatian, Czech, Danish, Dutch, English, Finnish, French, German, Greek, Hungarian, Italian, Japanese, Korean, Polish, Romanian, Russian, Serbian, Slovenian, Spanish, Swedish, Turkish

Operations

- Safety compliance standard with 2006/42/CE and ISO 13849:2008 (Category 3; PLd (Performance Level D, UL listed.))
- Possibility of remote data management
- Quick and easy head swap with single connector
- Operating temperature range: 5 to 40 °C (41 to 104 °F)
- 7" WYSIWYG color touch screen, QWERTY or AZERTY virtual keyboard, navigation via icons including on-line help file
- Message storage capacity of 500 jobs
- Upload and download of messages via USB flash drive
- Quick connect/disconnect of laser head and accessories (photocell, encoder, alarm)
- Standard I/O: Ethernet interface, serial, USB, encoder, sensor, extractor controls, alarms, remote interlocks (dual channels)

Software

- Web user interface provided as standard
- Included, free of charge, CoLOS® Message Design for design of simple messages; compatible with CoLOS® Line and CoLOS® Factory.

Other characteristics

- 3 separate modules: controller, laser head and optional user interface
- Controller weight: 10.2 kg - User interface weight: 2.1 kg - Laser printhead weight: 18.5 kg
- Dust/humidity protection: IP55 or IP65 laser head, IP54 controller and IP54 user interface
- Visible aiming diode is standard on all lasers
- Electrical power supply: 100-240 V with automatic switching - Frequency: 50/60 Hz - C350 Power consumption 7 A; 700 VA

Optional accessories

- Remote user interface
- IP65 laser head (requires using external air cooler such as FS400)
- Optional 90° printhead cable adaptor
- Laser head to controller umbilical cable: 6m standard; 3m and 9m options available
- Industrial interface option board: RS-232/422 connectivity, 20 configurable operator I/O (12 inputs / 8 outputs), 2 voltage free relays, USB (for optional scanners)
- Extraction solutions available: ES500+ (<600 ppm) for single head application and ES1000+ for more heads (< 1200 ppm)
- Stand (controller, laser head and user interface), guarding tunnel, photocell, encoder, alarm beacon
- Advanced head mount and extraction kits available for stick packs machines.

* Application dependent; Size and complexity of the code, scoring, and substrate type.

Code with CONFIDENCEsm – Ensure excellent performance and peace of mind with our array of genuine Markem-Imaje after-sales services. Offerings include spare part kits, consumables solutions and service packages including start-up packages, extended warranty contracts, service exchange programs and all-inclusive agreements. With Markem-Imaje you redefine your production possibilities.

We reserve the right to amend the design and/or specifications of our products without notice.

Markem-Imaje
Global Sales & Marketing Division
9, rue Gaspard Monge
B.P. 110
26501 Bourg-lès-Valence Cedex France
Tél. : +33 (0) 4 75 75 55 00
Fax : +33 (0) 4 75 82 98 10


markem·imaje
a  company

To learn more, visit www.markem-imaje.com